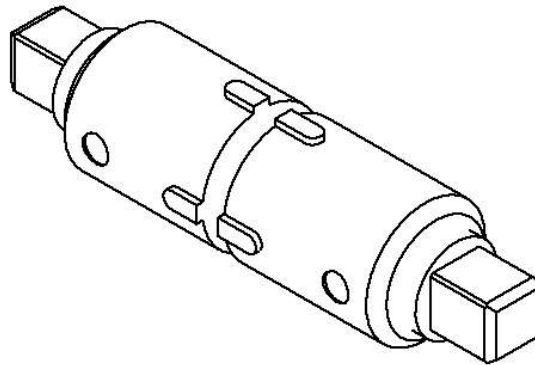


WINDING SHAFT SQUARE REQUIREMENTS FOR 28 SERIES SAFETY CHUCKS



# Winding shaft square requirements